

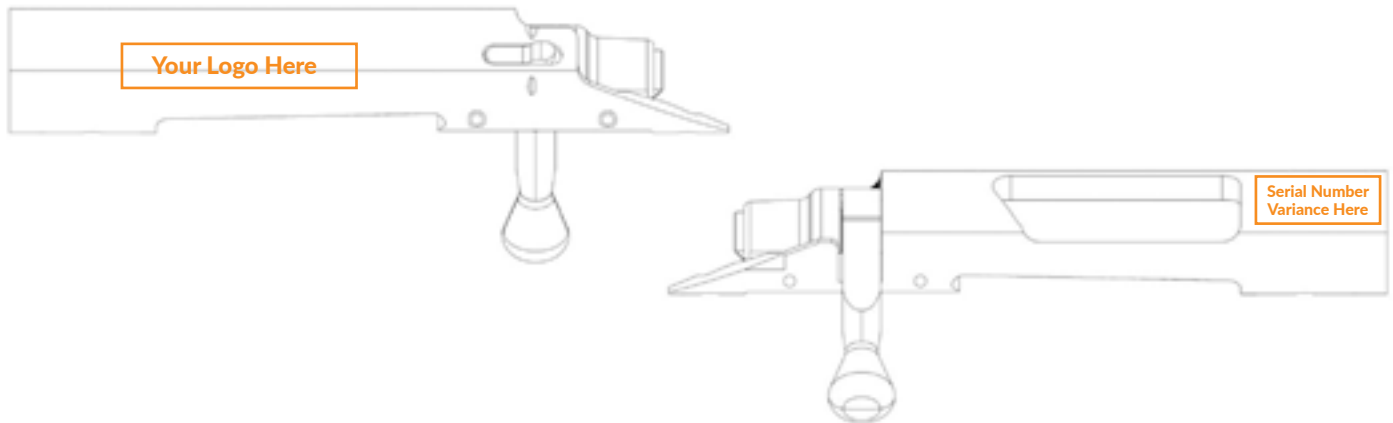


# VARIANCE DESIGN REQUEST

Thank you for your interest in working with Stiller to create your own custom line of receivers. Please fill out 1 request form per model.

We look forward to working together!

Manufacturing Legal Name:	
Name/Responsible Person:	Phone Number:
Email Address:	
City, State/Province, Zip/Postal Code:	
Customer Number:	FFL Number:



Requested Serial Number Series (3 letters, number series):		Bolt Style/Knob: <input type="checkbox"/> Hunter <input type="checkbox"/> Tactical <input type="checkbox"/> Other_____	
Action Body: <input type="checkbox"/> Predator <input type="checkbox"/> Tac Style <input type="checkbox"/> TAC Driver	Bolt Handle: <input type="checkbox"/> Swept Handle <input type="checkbox"/> Straight Handle	Engraving Type: <input type="checkbox"/> Flat <input type="checkbox"/> Round	
What do you want your action to be called? Model Name: _____		Do you want your logo on the action? <input type="checkbox"/> Yes <input type="checkbox"/> No	

File requirements: DXF preferred. Vector or png accepted.

Please return the completed form, a copy of your FFL, your logo, and a copy of your 3311.4 ATF Form (application for alternate means of identification) to [derrick@stilleractions.com](mailto:derrick@stilleractions.com)

For office use only. Reference # to ATF Form: _____ Final Part Number: R-_____ L-_____
---